

# BM Series Wire EDM Accessories

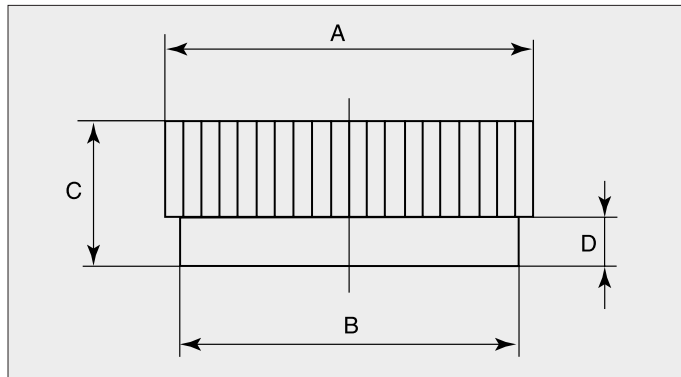


## BM19.020 BM permanent magnetic aids for wire and zinc spark machines

These positioning magnets made from Neodymium have a very powerful magnetic force and enable pieces of work to be positioned without any danger of unwanted movement. The ridges on the circumference give good manoeuvrability. Individual magnets are supplied under article number BM 19.020. A set of 6 in a plastic box are supplied under article number BM 19.021. The clamping power of the magnets is 90 N.

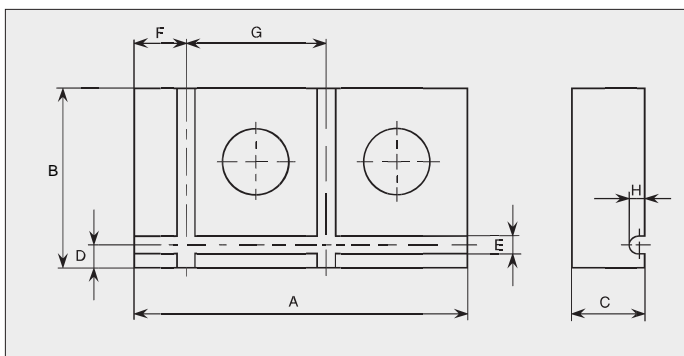
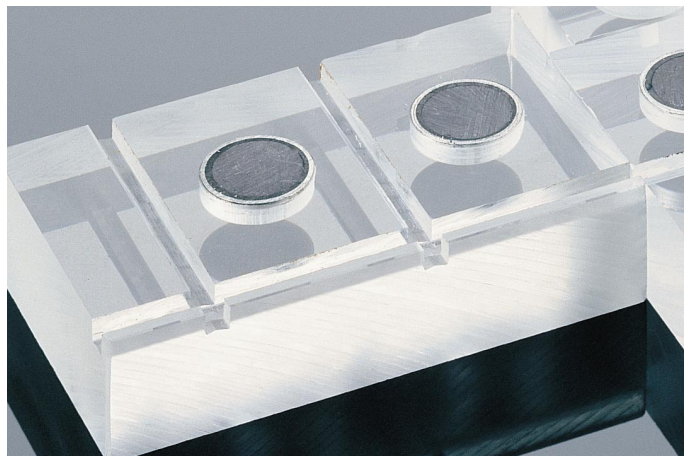
Art.no.	A	B	C	D
BM 19.020	20	19	8	5

All measurements in mm.



## BM19.010 BM magnetic induction accessories

These magnet systems are an ideal aid in handling pieces of work on wire spark machines. They are made from impact resistant plastic and have three grooves. They are suitable for a wide range of applications. Each block contains two strong Neodymium magnets and make it possible to increase the pressure of the dielectric. They are supplied in sets of four of different sizes and are packed in a wooden box. The clamping power of all sizes is 40 N.



Art.no.	A	B	C	D	E	F	G	H
BM 19.010	50	15	10	3,0	2,5	10	20	2,5
	50	20	10	3,0	2,5	10	20	2,5
	50	25	10	3,0	2,5	10	20	2,5
	50	30	10	3,0	2,5	10	20	2,5

All measurements in mm.